

ACCESSORIES

IR EMITTER

IR emitter for **ad notam** monitor systems.

Applicable with the following **ad notam** product series:

DFU

Applicable with the following screen sizes:

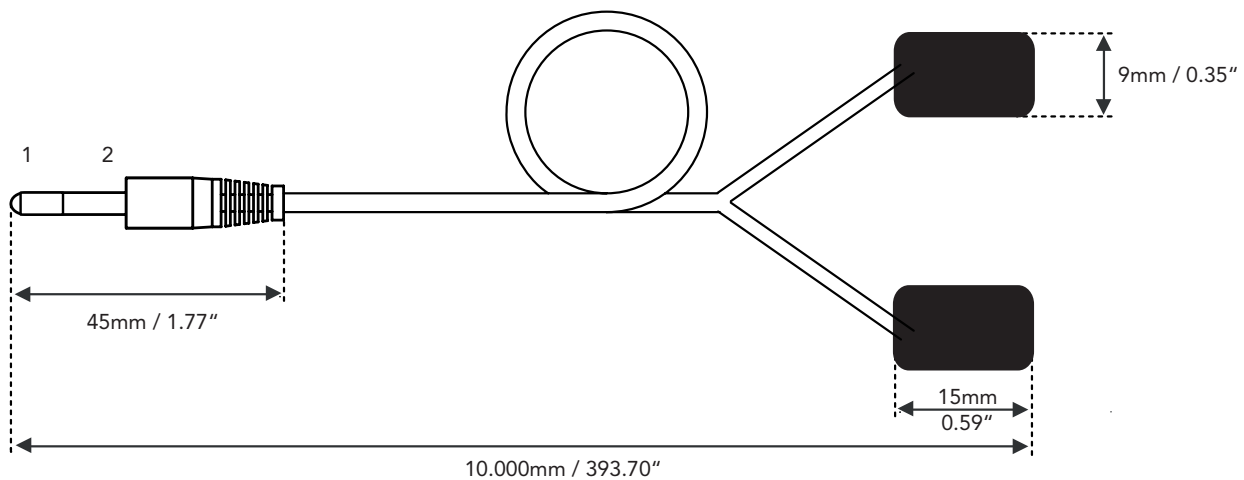
all sizes



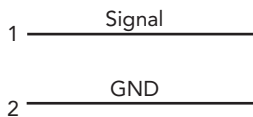
PACKAGE INCLUDES

- 1 x IR emitter 10.000mm (mini jack 2.5mm - IR emitter diode, self-adhesive)

CHARACTERISTICS AND DIMENSIONS



Connection Diagram



ARTICLE NO.

Art.No.	Code
ET_	541