

VGA-HDMI™ CONVERTER

ad notam introduces the VGA-HDMI™ converter that allows PC's or notebooks with VGA output to display onto **ad notam** DFU monitor systems using VGA to HDMI™ technology. This product is used with an HDMI™ cable, VGA cable and 3.5mm audio cable (VGA and audio cables are optional). The converter requires no extra software and performs flawlessly without noise or lag.

PRODUCT FEATURES

- ❑ Audio input: 2-channel analog stereo
- ❑ HDMI™ output: identical to video input
- ❑ HDMI™ audio output: 24-bit, 48 kHz sampling rate
- ❑ Power supply: 5VDC/0.5A through VGA connector
- ❑ Auxilliary power supply 5VDC/0.5A through mini-USB

PACKAGE INCLUDES

- ❑ 1 x VGA-HDMI™ converter
- ❑ 1 x HDMI™ cable 1.500mm
- ❑ 1 x [User Manual](#)

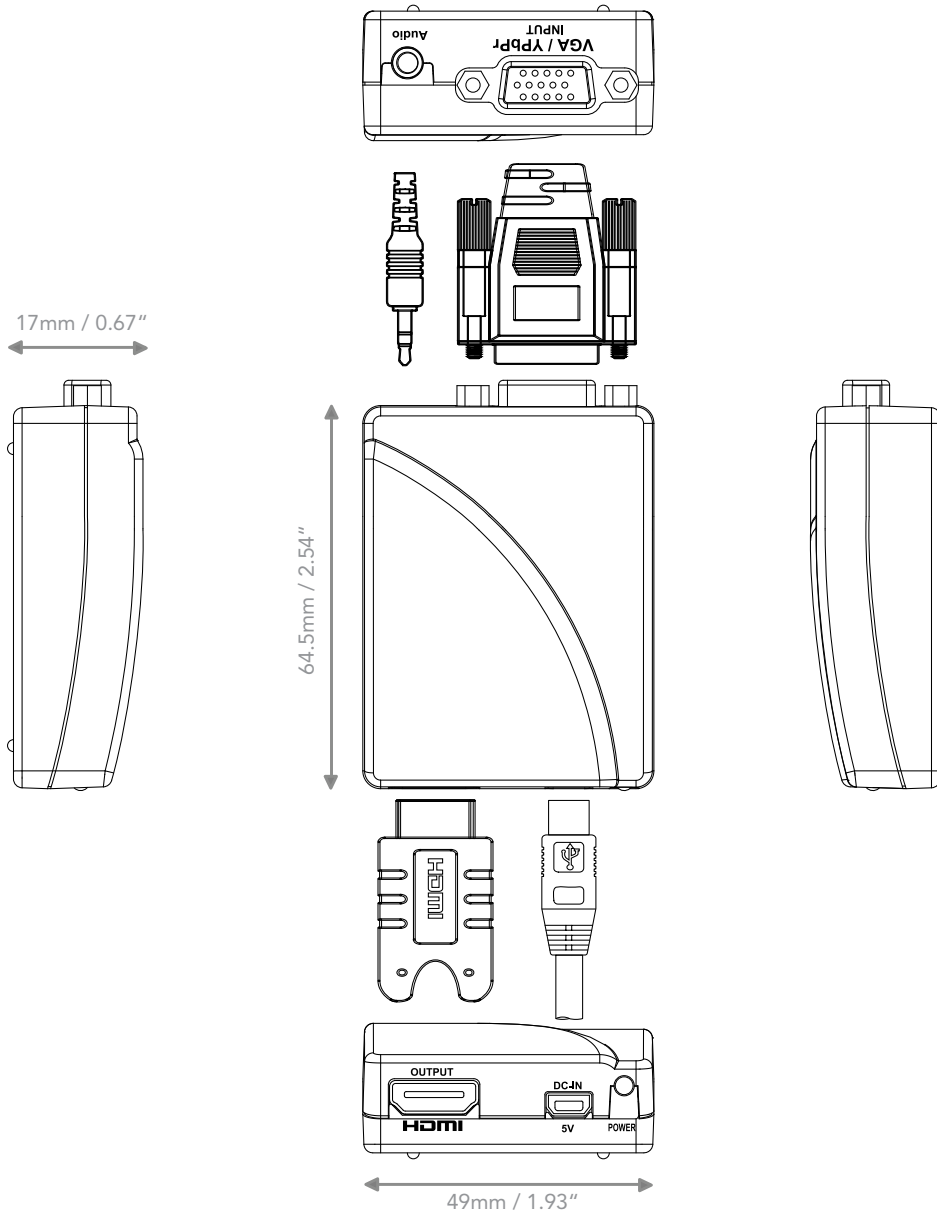


ARTICLE NO.

Art.No.
VGA-HDMI

VGA-HDMI™ CONVERTER

PORTS AND MEASUREMENTS



TECHNICAL SPECIFICATION

Features	Supported resolutions
VGA	640 x 480 at 60/72/75/85 Hz
SVGA	800 x 600 at 56/60/72/75/85 Hz
XGA	1024 x 768 at 60/70/75/80/85 Hz
SXGA	1280 x 1024 at 60/75/85 Hz
UGA (UXGA)	1600 x 1200 at 60/75 Hz

