

ad notam POWER ADAPTOR

ET_547

External low voltage power adaptor 200W / 24V DC for **ad notam** monitor systems.

Applicable with **ad notam** article numbers:

DFU-0260-001 * DFU-0320-001 * DFU-0420-001
* DFU-0460-001 * DFU-0550-002 * DFU-0550-003



PRODUCT FEATURES

- Output 200W / 24V DC
- Universal AC Input 100 - 240V AC / 47 - 63 Hz Input
- Meets Energy Star V / ErP (Stage 2) / MEPS V
- Meets CE / FCC / CCC Class "B", Conduction and Radiation Met.
- Over Voltage Protection
- Short Circuit Protection
- Over Current Protection
- Over Temperature Protection
- High Efficiency Operation, 87% Typical

PACKAGE INCLUDES

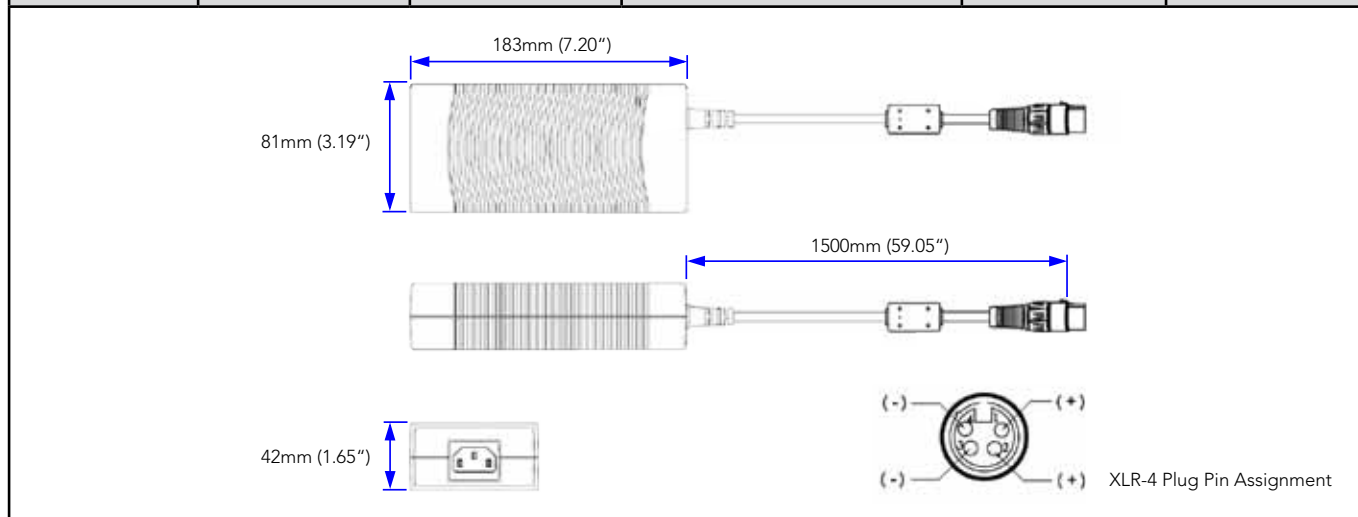
- 1 x power adaptor

- 1 x power cord

OPTIONAL ACCESSORIES

- DC - DC extension cable [CSET-7](#)

Power	Voltage Input	Voltage Output	Operating Temperature	Humidity	Weight
200W / 8.3A	100 ~ 240V AC	24V DC	0 - 40 °C	20 - 80%	820g



ARTICLE NO.

Art.No.	Code
ET_	547